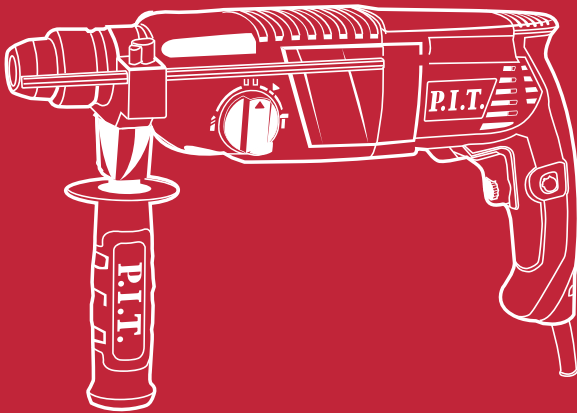


# P.I.T.

## PBH24-C



### ELECTRIC HAMMER DRILL ПЕРФОРАТОР

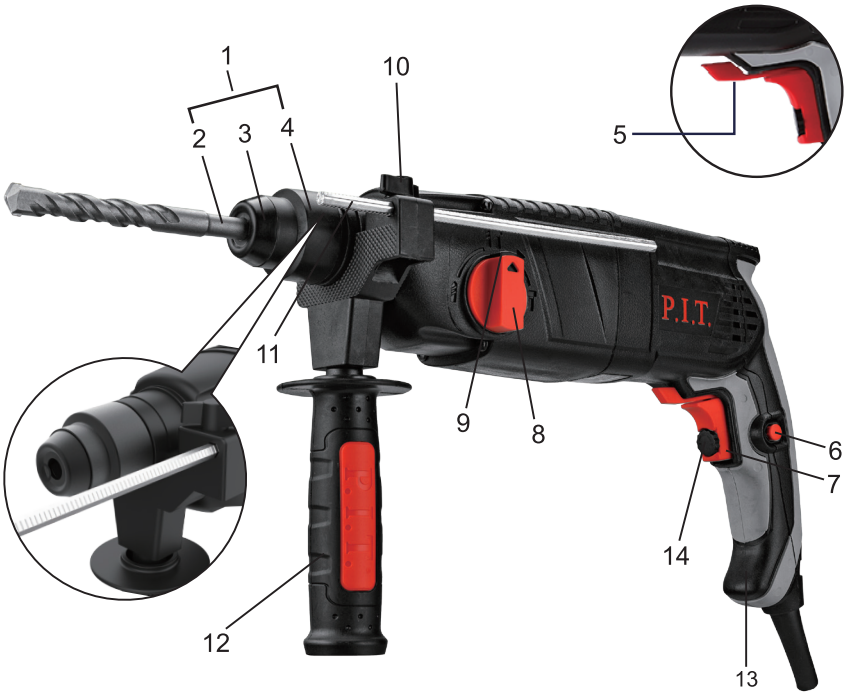
**850W**

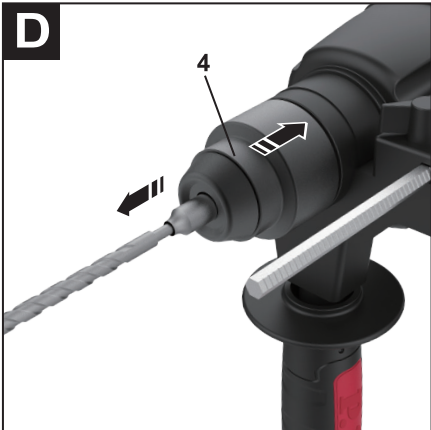
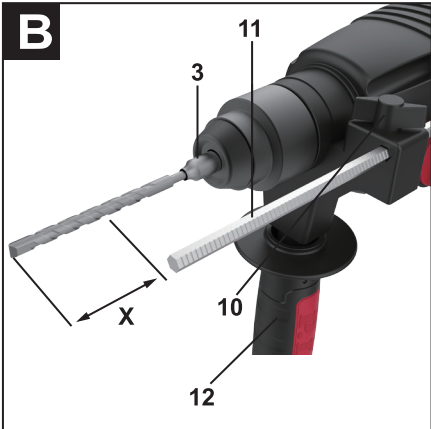
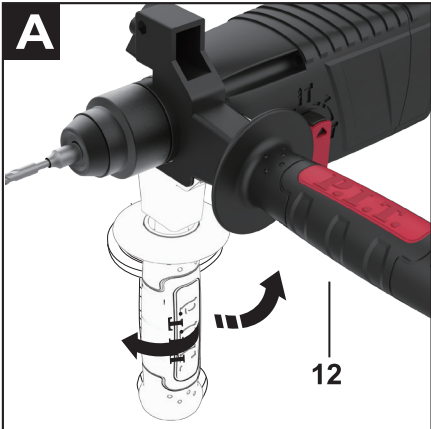
**Powerful  
Efficient**

Please read the instruction manual carefully before use!

Пожалуйста, внимательно прочтите инструкцию перед использованием!







## English

### Safety Notes

#### General Power Tool Safety Warnings



**WARNING** Read all safety warnings and all instructions. Failure to follow the warnings and instructions may result in electric shock, fire and/or serious injury. Save all warnings and instructions for future reference.

The term "power tool" in the warnings refers to your mainsoperated(corded) power tool or battery-operated (cordless) power tool.

#### Work area safety

- ▶ **Keep work area clean and well lit.** Cluttered or dark areas invite accidents.
- ▶ **Do not operate power tools in explosive atmospheres, such as in the presence of flammable liquids, gases or dust.** Power tools create sparks which may ignite the dust or fumes.
- ▶ **Keep children and bystanders away while operating a power tool.** Distractions can cause you to lose control.

#### Electrical safety

- ▶ **Power tool plugs must match the outlet. Never modify the plug in any way.** Do not use any adapter plugs with earthed (grounded) power tools. Unmodified plugs and matching outlets will reduce risk of electric shock.
- ▶ **Avoid body contact with earthed or grounded surfaces, such as pipes, radiators, ranges and refrigerators.** There is an increased risk of electric shock if your body is earthed or grounded.
- ▶ **Do not expose power tools to rain or wet conditions.** Water entering a power tool will increase the risk of electric shock.
- ▶ **Do not abuse the cord. Never use the cord for carrying, pulling or unplugging the power tool.** Keep cord away from heat, oil, sharp edges or moving parts. Damaged or entangled cords increase the risk of electric shock.
- ▶ **When operating a power tool outdoors, use an extension cord suitable for outdoor use.** Use of a cord suitable for outdoor use reduces the risk of electric shock..
- ▶ **If operating a power tool in a damp location is unavoidable, use a residual current device (RCD) protected supply.** Use of an RCD reduces the risk of electric shock.

#### Personal safety

- ▶ **Stay alert, watch what you are doing and use common sense when operating a power tool.** Do not use a power tool while you are tired or under the influence of drugs, alcohol or medication. A moment of inattention while operating power tools may result in serious personal injury.
- ▶ **Use personal protective equipment. Always wear eye protection.** Protective equipment such as dust mask, non-skid safety shoes, hard hat, or hearing protection used for appropriate conditions will reduce personal injuries.
- ▶ **Prevent unintentional starting. Ensure the switch is in the off position before connecting to power source and/or battery pack, picking up or carrying the tool.** Carrying power tools with your finger on the switch or energizing power tools that have the switch on invites accidents.
- ▶ **Remove any adjusting key or wrench before turning the power tool on.** A wrench or a key left attached to a rotating part of the power tool may result in personal injury.
- ▶ **Do not overreach. Keep proper footing and balance at all times.** This enables better control of the power tool in unexpected situations.
- ▶ **Dress properly. Do not wear loose clothing or jewellery.** Keep your hair, clothing and gloves away from moving parts. Loose clothes, jewellery or long hair can be caught in moving parts.
- ▶ **If devices are provided for the connection of dust extraction and collection facilities, ensure these are connected and properly used.** Use of dust collection can reduce dust related hazards.
- ▶ **A good knowledge of power tools resulting from frequent use should not lead to overconfidence and neglect of power tool safety.** One careless action in a split second can result in serious injury.
- ▶ **ATTENTION!** If an interruption occurs in the operation of the power tool due to a complete or partial loss of power or damage to the power control circuit, set the switch to the Off position, making sure it is not locked (if equipped). Unplug the mains plug or disconnect the removable battery. This prevents an uncontrolled restart.

#### Power tool use and care

- ▶ **Do not force the power tool. Use the correct power tool for your application.**

The correct power tool will do the job better and safer at the rate for which it was designed.

- ▶ **Do not use the power tool if the switch does not turn it on and off.** Any power tool that cannot be controlled with the switch is dangerous and must be repaired.
- ▶ **Disconnect the plug from the power source and/or the battery pack from the power tool before making any adjustments, changing accessories, or storing power tools.** Such preventive safety measures reduce the risk of starting the power tool accidentally.
- ▶ **Store idle power tools out of the reach of children and do not allow persons unfamiliar with the power tool or these instructions to operate the power tool.** Power tools are dangerous in the hands of untrained users.
- ▶ **Maintain power tools. Check for misalignment or binding of moving parts, breakage of parts and any other condition that may affect the power tool's operation.** If damaged, have the power tool repaired before use. Many accidents are caused by poorly maintained power tools.
- ▶ **Keep cutting tools sharp and clean.** Properly maintained cutting tools with sharp cutting edges are less likely to bind and are easier to control.
- ▶ **Keep handles and gripping surfaces dry and clean and free of oil or grease.** Slippery handles and gripping surfaces impede safe handling of the tool and prevent reliable control in unexpected situations.
- ▶ **The appliance is not intended for use by persons (including children) with reduced physical, sensory or mental capabilities or lack of experience or knowledge, unless they are supervised or instructed to use the appliance by a person responsible for their safety.**
- ▶ **Use the power tool, accessories and tool bits etc. in accordance with these instructions, taking into account the working conditions and the work to be performed.** Use of the power tool for operations different from those intended could result in a hazardous situation.

#### **Hammer Safety Warnings**

- ▶ **Wear ear protectors.** Exposure to noise can cause hearing loss.
- ▶ **Use auxiliary handle(s), if supplied with the tool.** Loss of control can cause personal injury.

- ▶ **Hold power tool by insulated gripping surfaces, when performing an operation where the cutting accessory may contact hidden wiring or its own cord.** Cutting accessory contacting a "live" wire may make exposed metal parts of the power tool "live" and could give the operator an electric shock.
- ▶ **Use suitable detectors to determine if utility lines are hidden in the work area or call the local utility company for assistance.** Contact with electric lines can lead to fire and electric shock. Damaging a gas line can lead to explosion. Penetrating a water line causes property damage or may cause an electric shock.
- ▶ **When working with the machine, always hold it firmly with both hands and provide for a secure stance.** The power tool is guided more secure with both hands.
- ▶ **Secure the workpiece.** A workpiece clamped with clamping devices or in a vice is held more secure than by hand.
- ▶ **Always wait until the machine has come to a complete stop before placing it down.** The tool insert can jam and lead to loss of control over the power tool.
- ▶ **Make sure the accessory can rotate freely before turning on the power tool.** When turning on the power tool with a jammed working tool, large reaction moments occur.
- ▶ **Switch off the power tool if an accessory is jammed.** Eliminate the cause of the attachment jam.
- ▶ **Installing the SDS-plus working tool:** Check the fixation by pulling out the working tool
- ▶ **For drilling without hammering in wood, metal, ceramics and plastics, as well as for screwdriving, use tools without SDS-plus (for example drills with a cylindrical shank).** These tools require a keyless chuck or toothed chuck.
- ▶ **If the dust cap is damaged, it must be replaced immediately.** The dust cap prevents dust generated during drilling from entering the chuck. When installing the accessory, be careful not to damage the dust cap.
- ▶ **Dust from materials such as lead paints, some types of wood, minerals and metals can be harmful to your health and cause allergic reactions, respiratory problems pathways and/or cancer. Have asbestos-containing material handled only by specialists.**

- If possible, use a vacuum cleaner suitable for the material.
- Ventilate the workplace well.
- It is recommended to use a respiratory mask with a class P2 filter. Observe the regulations valid in your country for the materials to be processed.
- ▶ Avoid accumulation of dust in the workplace. Dust can be easily ignited.
- ▶ To save energy, switch on the power tool only when you are about to use it.

## Product Description and Specifications



**Read all safety warnings and all instructions.** Failure to follow the warnings and instructions may result in electric shock, fire and/or serious injury.

### Intended Use

The machine is intended for hammer drilling in concrete, brick and stone. It is also suitable for drilling without impact in wood (PBH24-C1), metal, ceramic and plastic. Machines with electronic control and right/left rotation are also suitable for screwdriving.

### Product Features

The numbering of the product features refers to the illustration of the machine on the graphics page.

1. SDS plus cartridge
2. Equipment (drill)
3. Dust cap
4. Fixing sleeve
5. Rotation direction switch
6. Breaker release button
7. On/Off switch
8. Mode switch
9. Mode switch lock
10. Depth stop lock
11. Depth gauge
12. Additional handle (with insulated surface)
13. Handle (with insulated surface)
14. Speed controller

### Technical parameter

Model	PBH24-C
Rated voltage	220 V~/50 Hz
Rated output power	850 W
Rated speed	0-1000 r/min
Impact frequency	0-5000 ipm
Drilling diameter	Ø24mm (15/16")
Impact force	2.8 J
Weight	4.83Kg

### Contents of delivery

Electric hammer drill 1 pc

Cement drill	4 pcs
Auxiliary handle	1 pc
Depth delimitter	1 pc
Flat chisel	1 pc
Instruction manual	1 pc

### Note

Since the product is constantly being improved, P.I.T. reserves the right to make changes to the specifications and product specifications specified here without prior notice.

### Assembly

- ▶ **Before any work on the machine itself, pull the mains plug.**
- Auxiliary Handle**
- ▶ **Operate your machine only with the auxiliary handle.**

### Changing the position of the auxiliary handle (see figure A)

The auxiliary handle can be set to any position for a secure and low-fatigue working posture.

- Turn the bottom part of the auxiliary handle in counterclockwise direction and swivel the auxiliary handle to the desired position. Then retighten the bottom part of the auxiliary handle by turning in clockwise direction. Pay attention that the clamping band of the auxiliary handle is positioned in the groove on the housing as intended for.

### Adjusting the Drilling Depth (see figure B)

The required drilling depth can be set with the depth stop.

- Loosen the bolt for the depth stop adjustment and insert the depth stop into the auxiliary handle. The knurled surface of the depth stop must face downward.
- Insert the SDS-plus drilling tool to the stop into the SDS-plus tool holder. Otherwise, the movability of the SDSplus drilling tool can lead to incorrect adjustment of the drilling depth.
- Pull out the depth stop until the distance between the tip of the drill bit and the tip of the depth stop corresponds with the desired drilling depth.
- Then tighten the bolt for the depth stop adjustment to fix the depth stop.

### Selecting Drill Chucks and Tools

For hammer drilling and chiselling, SDS-plus tools are required that are inserted in the SDS-plus drill chuck.

For drilling without impact in wood, metal, ceramic and plastic as well as for screwdriving,

tools without SDS-plus are used (e.g., drill bits with cylindrical shank). For these tools, a keyless chuck or a key type drill chuck are required.

### Changing the Tool

The dust protection cap largely prevents the entry of drilling dust into the tool holder during operation. When inserting the tool, take care that the dust protection cap is not damaged.

- ▶ **A damaged dust protection cap should be changed immediately.** We recommend having this carried out by an after-sales service.

### Inserting SDS-plus Drilling Tools (see figure C)

The SDS-plus drill chuck allows for simple and convenient changing of drilling tools without the use of additional tools.

- Insert the SDS-plus quick change chuck.
- Clean and lightly grease the shank end of the tool.
- Insert the tool in a twisting manner into the tool holder until it latches itself.
- Check the latching by pulling the tool.

As a requirement of the system, the SDS-plus drilling tool can move freely. This causes a certain radial run-out at no-load, which has no effect on the accuracy of the drill hole, as the drill bit centres itself upon drilling.

### Removing SDS-plus Drilling Tools (see figure D)

- Push back the locking sleeve and remove the tool.

### Dust Extraction with the Dust Extraction Attachment

- ▶ **Dust from materials such as lead-containing coatings, some wood types, minerals and metal can be harmful to one's health.** Touching or breathing-in the dust can cause allergic reactions and/or lead to respiratory infections of the user or bystanders.

Certain dust, such as oak or beech dust, is considered carcinogenic, especially in connection with wood-treatment additives (chromate, wood preservative). Materials containing asbestos may only be worked by specialists.

- As far as possible, use a dust extraction system suitable for the material.
- Provide for good ventilation of the working place.
- It is recommended to wear a P2 filter-class respirator.

Observe the relevant regulations in your country for the materials to be worked.

- ▶ **Prevent dust accumulation at the work-place. Dust can easily ignite.**

## Operation

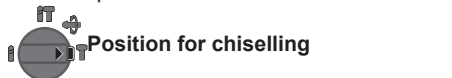
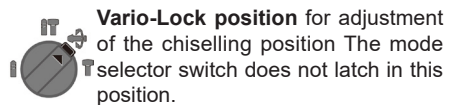
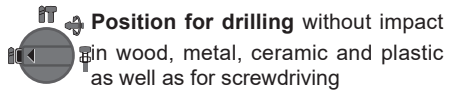
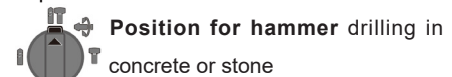
### Starting Operation

- ▶ **Observe correct mains voltage! The voltage of the power source must agree with the voltage specified on the name-plate of the machine.**

### Setting the operating mode

With the selector switch for drilling/hammer drilling, the operating mode of the machine is selected.

- ▶ To change the operating mode, press the release button and turn the drilling/hammer drilling selector switch to the desired position until it can be heard to latch.



### Reversing the rotational direction

The rotational direction switch is used to reverse the rotational direction of the machine. However, this is not possible with the On/Off switch actuated.

### Switching On and Off

To start the machine, press the On/Off switch. To lock the On/Off switch, keep it pressed and additionally push the lock-on button.

To switch off the machine, release the On/Off switch. When the On/Off switch is locked, press it first and then release it.

### Setting the Speed/Impact Rate

The speed/impact rate of the switched on power tool can be variably adjusted, depending on how far the On/Off switch is pressed. Light pressure on the On/Off switch results in low speed/impact rate. Further pressure on the switch increases the speed/impact rate.

### Overload Clutch

- ▶ **If the tool insert becomes caught or jammed, the drive to the drill spindle is interrupted.** Because of the forces that occur, always hold the power tool firmly



with both hands and provide for a secure stance.

- ▶ **If the power tool jams, switch the machine off and loosen the tool insert.** When switching the machine on with the drilling tool jammed, high reaction torques can occur.

**Working Advice**

- ▶ **Before any work on the machine itself, pull the mains plug.**

Changing the Chiselling Position (Vario-Lock)

- Changing the Chiselling Position (Vario-Lock)
- The chisel can be locked in different positions. In this manner, the optimum working position can be set for each application.
- Insert the chisel into the tool holder.
- Turn the mode selector switch to the "Vario-Lock" position.
- Turn the tool holder to the desired chiselling position.
- Turn the mode selector switch to the "chiselling" position. The tool holder is now locked.
- For chiselling, set the rotation direction to right rotation.

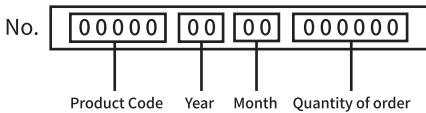
**Dispose of waste**



Damaged power tools, batteries, accessories and waste packaging materials must be recycled and reused in an environmentally friendly manner.

Do not throw power tools and accumulators / batteries into general household waste!

**Product serial number interpretation**



The date of manufacture of the product is encoded in the serial number printed on the body of the tool. The first 2 digits indicate the year of issue, the next 2 digits indicate the month.

**TERMS OF WARRANTY SERVICE**

To customers (users) of warranty service:

1. This warranty certificate is the only document that confirms your right to free warranty service. If this proof is not presented, no claims will be accepted. Warranty certificates cannot be recovered if lost or damaged.
2. It is required to provide a valid and legal document for purchasing the product. The

document must have the name or seal of the sales company; at the same time, state the full model name of the purchased P.I.T. product, the serial number on the nameplate of the fuselage, and the date of purchase, and the required warranty. The whole machine and its accessories.

The warranty period:

1. The warranty period of the product is 12months from the date of sale. During the warranty period, the service department will eliminate manufacturing defects free of charge and replace the parts that fail due to the manufacturer's fault. In warranty repair, an equivalent operable product is not provided. Replaceable parts become the property of the service provider.

2. The wear degree on the diameter of the motor rotor commutator is less than 0.4 mm (except for brushless motor tools), and the internal damage caused by the quality of the tool belongs to the warranty.

The following situations occur during the warranty period, which is not covered by the warranty:

1. In the absence of any valid legal documents (invoices) such as warranty certificates and warranty cards to prove the date of purchase.
2. Damage caused by natural wear and overload. (For example, motor rotor and stator failure caused by overload, scorching or melting of the primary winding of the welding machine transformer, charging or starting the charging device, melting of internal parts, burning of electronic circuit boards, etc.)
3. The casing and power cord are mechanically damaged, as well as damage caused by corrosive media and high and low temperature, foreign objects entering the ventilation network of the motor, and damage caused by improper storage (corrosion of metal parts);
4. Damage caused by improper carrying, transportation and storage by users.
5. Products that are opened, repaired, replaced or modified by users themselves.
6. Any damage caused by indiscriminate use, beyond the scope of use of the tool, and not in accordance with the instructions for use and maintenance. (see chapter "Safety Precautions" in the manual);
7. The damage caused by the following situations is not guaranteed due to improper use and non-quality problems:



- (1) When the power tool is running at high speed, use the braking device to forcibly stop the rotation.
- (2) Excessive pressure is applied to the tool during the use of the tool.
- (3) Use the tool outside the scope of its purpose and capabilities.
- (4) Damage caused by the tool working in a dusty environment for a long time without timely maintenance of the tool.
- (5) Change the rotation direction of the work head before the tool stops completely.
- (6) Shock the battery or charger and replace the plug of the charger without permission, causing damage to the battery or charger.
- (7) Damage caused by two-stroke gasoline tools not being fueled in the correct proportions.

The warranty does not include:

1. Replacement of accessories (accessories and components) such as batteries, discs, blades, drills, chucks, chains, sprockets, collet clamps, guide rails, tension and fastening elements, dresser heads, grinders And belt sander base machine, hexagonal head, etc.;
2. Wearing parts, such as: carbon brushes, transmission belts, seals, protective covers, guide rollers, guide rails, rubber seals, bearings, toothed belts and wheels, shanks, brake belts, starter ratchets and ropes, piston rings Wait.

The above accessories are replaced with paid services during the warranty period;

## Русский

### Указания по технике безопасности

#### Общие указания по технике безопасности для электроинструментов



#### ПРЕДУПРЕЖДЕНИЕ

Прочтите все указания и инструкции по технике безопасности.

Несоблюдение указаний и инструкций по технике безопасности может стать причиной поражения электрическим током, пожара и тяжелых травм.

#### Сохраняйте эти инструкции и указания для будущего использования.

Использованное в настоящих инструкциях и указаниях понятие «электроинструмент» распространяется на электроинструмент с питанием от сети (с сетевым шнуром) и на аккумуляторный электроинструмент (без сетевого шнура).

### Безопасность рабочего места

- ▶ Содержите рабочее место в чистоте и хорошо освещенным. Беспорядок или неосвещенные участки рабочего места могут привести к несчастным случаям.
- ▶ Не работайте с этим электроинструментом во взрывоопасном помещении, в котором находятся горючие жидкости, воспламеняющиеся газы или пыль. Электроинструменты искрят, что может привести к воспламенению пыли или паров.
- ▶ Во время работы с электроинструментом не допускайте близко к Вашему рабочему месту детей и посторонних лиц. Отвлечшись, Вы можете потерять контроль над электроинструментом.

### Электробезопасность

- ▶ Штепсельная вилка электроинструмента должна подходить к штепсельной розетке. Ни в коем случае не изменяйте штепсельную вилку. Не применяйте переходные штекеры для электроинструментов с защитным заземлением. Неизмененные штепсельные вилки и подходящие штепсельные розетки снижают риск поражения электротоком.
- ▶ Предотвращайте телесный контакт с заземленными поверхностями, как то: с трубами, элементами отопления, кухонными плитами и холодильниками. При заземлении Вашего тела повышается риск поражения электротоком.
- ▶ Защищайте электроинструмент от

дождя и сырости. Проникновение воды в электроинструмент повышает риск поражения электротоком.

- ▶ Не разрешается использовать шнур не по назначению, например, для транспортировки или подвески электроинструмента, или для вытягивания вилки из штепсельной розетки. Защищайте шнур от воздействия высоких температур, масла, острых кромок или подвижных частей электроинструмента. Поврежденный или спутанный шнур повышает риск поражения электротоком.
- ▶ При работе с электроинструментом под открытым небом применяйте пригодные для этого кабели удлинители. Применение пригодного для работы под открытым небом кабеля удлинителя снижает риск поражения электротоком.
- ▶ Если невозможно избежать применения электроинструмента в сыром помещении, подключайте электроинструмент через устройство защитного отключения. Применение устройства защитного отключения снижает риск электрического поражения.

### Безопасность людей

- ▶ Будьте внимательными, следите за тем, что Вы делаете, и продуманно начинайте работу с электроинструментом. Не пользуйтесь электроинструментом в усталом состоянии или если Вы находитесь в состоянии наркотического или алкогольного опьянения или под воздействием лекарств. Один момент невнимательности при работе с электроинструментом может привести к серьезным травмам.
- ▶ Применяйте средства индивидуальной защиты и всегда защитные очки. Использование средств индивидуальной защиты, как то: защитной маски, обуви на нескользящей подошве, защитного шлема или средств защиты органов слуха, – в зависимости от вида работы с электроинструментом снижает риск получения травм.
- ▶ Предотвращайте непреднамеренное включение электроинструмента. Перед подключением электроинструмента к электропитанию и/или к аккумулятору убедитесь в выключенном состоянии электроинструмента. Удержание пальца на выключателе при-

транспортировке и подключение к сети питания включенного электроинструмента чревато несчастными случаями.

- ▶ **Убирайте установочный инструмент или гаечные ключи до включения электроинструмента.** Инструмент или ключ, находящийся во вращающейся части электроинструмента, может привести к травмам.
- ▶ **Не принимайте неестественное положение корпуса тела. Всегда занимайте устойчивое положение и сохраняйте равновесие.** Благодаря этому Вы можете лучше контролировать электроинструмент в неожиданных ситуациях.
- ▶ **Носите подходящую рабочую одежду. Не носите широкую одежду и украшения. Держите волосы, одежду и рукавицы вдали от движущихся частей.** Широкая одежда, украшения или длинные волосы могут быть затянуты вращающимися частями.
- ▶ **При наличии возможности установки пылеотсасывающих и пылесборных устройств проверяйте их присоединение и правильное использование.** Применение пылесоса может снизить опасность, создаваемую пылью.
- ▶ **Хорошее знание электроинструментов, полученное в результате частого их использования, не должно приводить к самоуверенности и игнорированию техники безопасности обращения с электроинструментами.** Одно небрежное действие за долю секунды может привести к серьезным травмам.
- ▶ **ВНИМАНИЕ!** В случае возникновения перебоя в работе электроинструмента вследствие полного или частичного прекращения энергоснабжения или повреждения цепи управления энергоснабжением установите выключатель в положение Выкл., убедившись, что он не заблокирован (при его наличии). Отключите сетевую вилку от розетки или отсоедините съёмный аккумулятор. Этим предотвращается неконтролируемый повторный запуск.

**Применение электроинструмента и обращение с ним**

- ▶ **Не перегружайте электроинструмент. Используйте для Вашей работы предназначенный для этого электроинструмент.** С подходящим электроинструментом Вы работаете лучше и надежнее в указанном диапазоне мощ-

ности.

- ▶ **Не работайте с электроинструментом при неисправном выключателе.** Электроинструмент, который не поддается включению или выключению, опасен и должен быть отремонтирован.
- ▶ **До начала наладки электроинструмента, перед заменой принадлежностей и прекращением работы отключайте штепсельную вилку от розетки сети и/или выньте аккумулятор.** Эта мера предосторожности предотвращает непреднамеренное включение электроинструмента.
- ▶ **Храните электроинструменты в недоступном для детей месте. Не разрешайте пользоваться электроинструментом лицам, которые не знакомы с ним или не читали настоящих инструкций.** Электроинструменты опасны в руках неопытных лиц.
- ▶ **Тщательно ухаживайте за электроинструментом. Проверяйте безупречную функцию и ход движущихся частей электроинструмента, отсутствие поломок или повреждений, отрицательно влияющих на функцию электроинструмента. Поврежденные части должны быть отремонтированы до использования электроинструмента.** Плохое обслуживание электроинструментов является причиной большого числа несчастных случаев.
- ▶ **Держите режущий инструмент в заточенном и чистом состоянии.** Заботливо ухоженные режущие инструменты с острыми режущими кромками реже заклиниваются и их легче вести.
- ▶ **Держите ручки и поверхности захвата сухими и чистыми, следите чтобы на них чтобы на них не было жидкой или консистентной смазки.** Скользкие ручки и поверхности захвата препятствуют безопасному обращению с инструментом и не дают надежно контролировать его в непредвиденных ситуациях.
- ▶ **Прибор не предназначен для использования лицами (включая детей) с пониженными физическими, чувственными или умственными способностями или при отсутствии у них опыта или знаний, если они не находятся под контролем или не проинструктированы об использовании прибора лицом, ответственным за их**

**безопасность.**

- ▶ Применяйте электроинструмент, принадлежности, рабочие инструменты и т.п. В соответствии с настоящими инструкциями. Учитывайте при этом рабочие условия и выполняемую работу. Использование электроинструментов для непредусмотренных работ может привести к опасным ситуациям.
- Указания по технике безопасности для перфораторов**
- ▶ Применяйте средства защиты органов слуха. Воздействие шума может привести к потере слуха.
  - ▶ Пользуйтесь дополнительными рукоятками, входящими в объем поставки электроинструмента. Потеря контроля может привести к телесным повреждениям.
  - ▶ При выполнении работ, при которых рабочий инструмент или шуруп может задеть скрытую электропроводку или собственный шнур питания, держите электроинструмент за изолированные ручки. Контакт с находящейся под напряжением проводкой может заряжать металлические части электроинструмента и приводить к удару электрическим током.
  - ▶ Используйте соответствующие металлоискатели для нахождения спрятанных в стене труб или проводки или обращайтесь за справкой в местное коммунальное предприятие. Контакт с электропроводкой может привести к пожару и поражению электротоком. Повреждение газопровода может привести к взрыву. Повреждение водопровода ведет к нанесению материального ущерба или может вызвать поражение электротоком.
  - ▶ Всегда держите электроинструмент во время работы обеими руками, зная предварительно устойчивое положение. Двумя руками Вы работаете более надежно с электроинструментом.
  - ▶ Закрепляйте заготовку. Заготовка, установленная в зажимное приспособление или в тиски, удерживается более надежно, чем в Вашей руке.
  - ▶ Выждите полной остановки электроинструмента и только после этого выпускайте его из рук. Рабочий инструмент может заесть, и это может привести к потере контроля над электроинструментом.
- ▶ Перед включением электроинструмента убедитесь в том, что рабочий инструмент может свободно вращаться. При включении электроинструмента с заклинившим рабочим инструментом возникают большие реакционные моменты.
  - ▶ При заклинивании рабочего инструмента выключите электроинструмент. Устраните причину заклинивания рабочего инструмента.
  - ▶ Установка рабочего инструмента SDS-plus: Проверьте фиксацию попыткой вытянуть рабочий инструмент
  - ▶ Для сверления без удара в древесине, металле, керамике и синтетическом материале, а также для заворачивания применяют инструменты без SDS-plus (например, сверла с цилиндрическим хвостовиком). Для этих инструментов требуется быстрозажимной патрон или патрон с зубчатым венцом.
  - ▶ При повреждении колпачка для защиты от пыли его необходимо немедленно заменить. Колпачок для защиты от пыли предотвращает проникновение образующейся при сверлении пыли в патрон. При установке рабочего инструмента следите за тем, чтобы не повредить колпачок для защиты от пыли.
  - ▶ Пыль таких материалов, как, напр., свинцовосодержащие лакокрасочные покрытия, некоторые виды древесины, минералов и металла, может нанести вред Вашему здоровью и вызвать аллергические реакции, заболевания дыхательных путей и/или рак. Поручайте обработку содержащего асбест материала только специалистам.
  - По возможности используйте пригодный для материала пылесос.
  - Хорошо проветривайте рабочее место.
  - Рекомендуется пользоваться респираторной маской с фильтром класса P2. Соблюдайте действующие в Вашей стране предписания для обрабатываемых материалов.
  - ▶ Избегайте скопления пыли на рабочем месте. Пыль может легко воспламеняться.
  - ▶ В целях экономии электроэнергии включайте электроинструмент только тогда, когда Вы собираетесь работать с ним.

## Описание продукта и услуг



**Прочтите все указания и инструкции по технике безопасности.**

Упущения в отношении указаний и инструкций по технике безопасности могут стать причиной поражения электрическим током, пожара и тяжелых травм.

Пожалуйста, откройте раскладную страницу с иллюстрациями электроинструмента и оставляйте ее открытой, пока Вы изучаете руководство по эксплуатации.

### Применение по назначению

Электроинструмент предназначен для ударного и безударного сверления отверстий в бетоне, кирпичах и природном камне, а также для долбежных работ.

### Изображенные составные части

Нумерация представленных компонентов выполнена по изображению на странице с иллюстрациями.

1. Патрон SDS plus
2. Оснастка (бур)
3. Колпачок для защиты от пыли
4. Фиксирующая гильза
5. Переключатель направления вращения
6. Кнопка фиксирования выключателя
7. Выключатель
8. Переключатель режимов
9. Фиксатор переключателя режимов
10. Фиксатор ограничителя глубины
11. Ограничитель глубины
12. Дополнительная рукоятка (с изолированной поверхностью)
13. Рукоятка (с изолированной поверхностью)
14. Регулятор числа оборотов

### Технические данные

Модель	PВН24-С
Номинальные напряжение/частота	220 В / 50 Гц
Номинальная мощность	850 Вт
Частота вращения	0-1000 об/мин
Частота удара	0-5000 уд/мин
Макс. диаметр бурения (бетон)	Ø24мм (15/16")
Сила удара	2,8 дж
Вес	4,83 кг

### Комплект поставки

Перфоратор	1 шт
Буры	4 шт
Дополнительная рукоятка	1 шт
Ограничитель глубины сверления	1 шт
Плоское долото	1 шт
Адаптер	1 шт

Инструкция пользователя 1 шт

### Примечание

В тексте и цифровых обозначениях инструкции могут быть допущены технические ошибки и опечатки.

Так как изделие постоянно совершенствуется, P.I.T. оставляет за собой право на внесение изменений в указанные здесь технические характеристики и комплектация изделия без предварительного уведомления.

### Сборка

► **Перед любыми манипуляциями с электроинструментом вытаскивайте штепсель из розетки.**

### Дополнительная рукоятка

► **Пользуйтесь электроинструментом только с дополнительной рукояткой.**

### Поворот дополнительной рукоятки (см. рис. А)

Дополнительную рукоятку можно повернуть в любое положение, чтобы обеспечить возможность безопасной и не утомляющей работы с инструментом.

- Поверните нижнюю часть ручки дополнительной рукоятки против часовой стрелки и поставьте дополнительную рукоятку в желаемое положение. После этого поверните нижнюю часть ручки дополнительной рукоятки в направлении по часовой стрелке. Следите за тем, чтобы стягивающая лента дополнительной рукоятки находилась в предусмотренном пазу корпуса.

### Настройка глубины сверления (см. рис. В)

С помощью ограничителя глубины можно установить желаемую глубину сверления.

- Ослабьте фиксатор ограничителя глубины и вставьте ограничитель в дополнительную рукоятку. Рифление на ограничителе глубины должно быть обращено вверх.
- Вставьте рабочий инструмент SDS-plus до упора в патрон SDS-plus. Смещение инструмента SDS-plus может привести к неправильной установке глубины сверления.
- Вытяните ограничитель глубины так, чтобы расстояние от вершины сверла до конца ограничителя глубины соответствовало желаемой глубине сверления.
- Затяните фиксатор ограничителя глубины.

## Выбор сверлильного патрона и инструмента

Для ударного сверления и долбления требуются инструменты SDS-plus, которые крепятся в патроне SDS-plus.

Для сверления без удара в древесине, металле, керамике и синтетическом материале, а также для заворачивания применяются инструменты без SDS-plus (например, сверла с цилиндрическим хвостовиком). Для использования этих инструментов требуется переходник на сверлильный патрон.

### Установка рабочего инструмента SDS-plus (см. рис. С)

С помощью патрона SDS-plus Вы можете просто и удобно сменить рабочий инструмент без применения дополнительного инструмента.

- Очистите и слегка смажьте вставляемый конец рабочего инструмента.
- Поворачивая, вставьте рабочий инструмент в патрон до автоматического фиксирования.
- Проверьте фиксацию попыткой вытянуть рабочий инструмент.

Рабочий инструмент SDS-plus имеет свободу движения, которая обусловлена системой. В результате этого на холостом ходу возникает радиальное биение. Это не имеет влияния на точность сверления, так как сверло центрируется автоматически.

### Снятие рабочего инструмента SDS-plus (см. рис. D)

- Сдвиньте фиксирующую гильзу назад и выньте рабочий инструмент из патрона.
- ▶ Пыль некоторых материалов, как напр., красок с содержанием свинца, некоторых сортов древесины, минералов и металлов, может быть вредной для здоровья. Прикосновение к пыли и попадание пыли в дыхательные пути может вызвать аллергические реакции и/или заболевания дыхательных путей оператора или находящегося вблизи персонала.

Определенные виды пыли, напр., дуба и бука, считаются канцерогенными, особенно совместно с присадками для обработки древесины (хромат, средство для защиты древесины). Материал с содержанием асбеста разрешается обрабатывать только специалистам.

- По возможности используйте пригодный для материала пылеотсос.
- Хорошо проветривайте рабочее место.

- Рекомендуется пользоваться респираторной маской с фильтром класса P2.
- Соблюдайте действующие в Вашей стране предписания для обрабатываемых материалов.

## Работа с инструментом

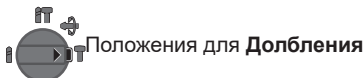
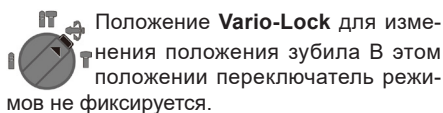
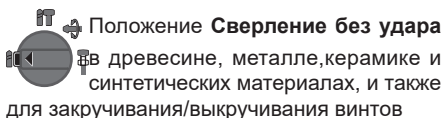
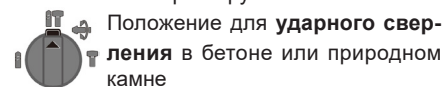
### Включение электроинструмента

- ▶ Учитывайте напряжение сети! Напряжение источника тока должно соответствовать данным на заводской табличке электроинструмента.

### Установка режима работы

С помощью переключателя «Сверление/Ударное сверление» выберите режим работы электроинструмента.

- ▶ Для смены режима работы нажмите кнопку фиксирования и поверните переключатель «Сверление/Ударное сверление» в желаемое положение, в котором он слышимо фиксируется.



### Установка направления вращения

Переключателем направления вращения можно изменять направление вращения патрона. При нажатом выключателе это, однако, невозможно.

### Включение/выключение

- Для включения электроинструмента нажмите на выключатель.
- Для фиксирования выключателя придержите его нажатым и дополнительно нажмите кнопку фиксирования.
- Для выключения электроинструмента отпустите выключатель. При задействованном фиксаторе сначала нажмите на выключатель 9 и потом отпустите его.

## Установка числа оборотов и ударов

С помощью регулятора (14) можно регулировать число оборотов и ударов включенного электроинструмента.

Также, регулировать число оборотов можно сильнее или слабее нажимая на выключатель.

Легким нажатием на выключатель инструмент включается на низкое число оборотов и низкое число ударов. С увеличением силы нажатия число оборотов и ударов увеличивается.

## Предохранительная муфта

► При заедании или заклинении рабочего инструмента привод патрона отключается. В целях предосторожности всегда держите электроинструмент из-за возникающих при этом сил крепко и надежно обеими руками и займите устойчивое положение.

► При блокировке электроинструмента выключите его и выньте рабочий инструмент из обрабатываемого материала. При включении с заклинившим инструментом возникают высокие реактивные моменты.

## Указания по применению

► Перед любыми манипуляциями с электроинструментом вытаскивайте штепсель из розетки.

## Изменение положения зубила (Vario-Lock)

Вы можете зафиксировать зубило в положениях. Благодаря этому Вы можете занять соответственно оптимальное положение.

- Вставьте зубило в патрон.
- Поверните переключатель режимов в положение «Vario-Lock»
- Поверните патрон в желаемое положение зубила.
- Поверните переключатель режимов в положение «Долбление». Этим фиксируется посадочное гнездо.
- Для долбления устанавливайте правое направление вращения.

Техобслуживание и сервис

Техобслуживание и очистка

► Перед любыми манипуляциями с электроинструментом вытаскивайте штепсель из розетки.

► Для обеспечения качественной и безопасной работы содержите электроинструмент и вентиляционные прорези в чистоте.

Если требуется поменять шнур во избежание опасности обращайтесь на фирму P.I.T или в авторизованную сервисную мастерскую для электроинструментов P.I.T.

Сервис

► Ремонт Вашего электроинструмента поручайте только квалифицированному персоналу и только с применением оригинальных запасных частей. Этим обеспечивается безопасность электроинструмента.

Список авторизованных сервисных центров можно посмотреть на официальном сайте P.I.T. по ссылке: <https://pittools.ru/servises/>

Хранение и транспортировка  
Храните инструмент в закрытых помещениях с естественной вентиляцией в упаковке при температуре воздуха от 0°C до +50°C и влажности воздуха не более 80%.

Транспортировать продукцию можно любым видом закрытого транспорта в упаковке производителя или без нее с сохранением изделия от механических повреждений и атмосферных осадков. Перед транспортировкой извлеките оснастку из инструмента.

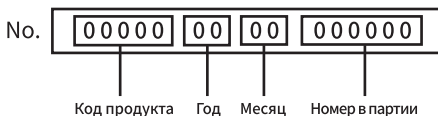
## Утилизация



Отслужившие свой срок электроинструменты, принадлежности и упаковку следует сдавать на экологически чистую переработку отходов.

Утилизируйте электроинструмент отдельно

## Расшифровка Даты Изготовления Изделия



Дата изготовления изделия зашифрована в серийном номере, напечатанном на корпусе инструмента. Первые 2 цифры обозначают год выпуска, следующие 2 цифры – месяц.

## УСЛОВИЯ ГАРАНТИЙНОГО ОБСЛУЖИВАНИЯ

1. Настоящее гарантийное свидетельство является единственным документом, подтверждающим ваше право на бесплатное гарантийное обслуживание. Без предъявления данного свидетельства претензии не принимаются. В случае утери или порчи гарантийное свидетельство не восстанавливается.



2. Гарантийный срок указан в гарантийном сертификате. В течение гарантийного срока сервисная служба бесплатно устраняет производственные дефекты и производит замену деталей, вышедших из строя по вине изготовителя. На период гарантийного ремонта эквивалентный исправный инструмент не предоставляется. Заменяемые детали переходят в собственность службы сервиса.

Компания P.I.T. не несет ответственности за вред, который может быть причинен при работе с электроинструментом.

3. В гарантийный ремонт инструмент принимается в чистом виде, при обязательном наличии надлежащим образом оформленных документов: настоящего гарантийного свидетельства, гарантийного талона, с полностью заполненными полями, штампом торговой организации и подписью покупателя.

4. Гарантийный ремонт не производится в следующих случаях:

- при отсутствии гарантийного свидетельства и гарантийного талона или неправильном их оформлении;
- степень износа диаметра коллектора ротора двигателя превышает 0,4 мм (за исключением инструментов с бесщеточным двигателем);
- при совместном выходе из строя якоря и статора электродвигателя, при обугливании или оплавлении первичной обмотки трансформатора сварочного аппарата, зарядного или пуско-зарядного устройства, при оплавлении внутренних деталей, прожиге электронных плат и других случаях;
- если гарантийное свидетельство или талон не принадлежат данному электроинструменту или не соответствует установленному поставщиком образцу;
- по истечении срока гарантии;
- при попытках самостоятельного вскрытия или ремонта электроинструмента вне гарантийной мастерской;
- внесения конструктивных изменений и смазки инструмента в гарантийный период, о чем свидетельствуют, например, заломы на шлицевых частях крепежа корпусных деталей;
- при использовании электроинструмента в производственных или иных целях, связанных с получением прибыли, а также при возникновении неисправностей связанных с нестабильностью параметров электросети, превышающих нормы, установленные

ГОСТ;

- при неправильной эксплуатации, использовании электроинструмента не по назначению, указанному в инструкции по эксплуатации, установки на электроинструмент предназначенных заводом-изготовителем насадок, дополнительных приспособлений и т.п.;
- при механических повреждениях корпуса, сетевого шнура и при повреждениях, вызванных воздействиями агрессивных средств и высоких и низких температур, попадании инородных предметов в вентиляционные решетки электроинструмента, а также при повреждениях, наступивших в результате неправильного хранения (коррозия металлических частей);
- при естественном износе деталей электроинструмента, в результате длительной эксплуатации (определяется по признакам полной или частичной выработки ресурса, сильного загрязнения, ржавчины снаружи и внутри электроинструмента, отработанной смазки в редукторе);
- при возникновении повреждений в связи с несоблюдением предусмотренных инструкцией условий эксплуатации (см. главу «Указание по технике безопасности» в инструкции).
- при повреждении изделия вследствие несоблюдения правил хранения и транспортировки;
- при сильном внутреннем загрязнении инструмента;
- при работе с перегрузкой бензоинструмента, изменении цвета чашки и муфты сцепления в результате перегрева;
- при обрыве шнура стартера при условии исправности остальных деталей пускового устройства;
- на все виды работ, выполняемые при периодическом техническом обслуживании (регулировки, чистке, замене расходных материалов и др.);
- на неисправности, возникшие в результате нарушения требований и правил эксплуатации, установленным паспортом изделия. Например, перегрев изделия, несоблюдение требований к составу и качеству топливной смеси, повлекших выход из строя поршневой группы (безусловным признаком этого является залегание поршневого кольца и/или наличие царапин и потертостей на внутренней поверхности цилиндра и поверхности поршня, разрушение или оплавление опорных подшипников

шатуна и поршневого пальца);

- на внешние и внутренние загрязнения, царапины, трещины, повреждения, возникшие в процессе эксплуатации или транспортировки.

- при работе электроинструментом с перегрузкой и заклиниванием оснастки, о чем свидетельствуют задиры, изменение цвета от температуры упорных и прижимных шайб, зажимного патрона, выхода из строя редуктора.

Профилактическое обслуживание электроинструмента (чистка, промывка, смазка, замена пыльников, поршневых и уплотнительных колец) в гарантийный период является платной услугой.

Срок службы изделия составляет 3 года. Срок хранения – 2 года. Не рекомендуется к эксплуатации по истечении 2 лет хранения с даты изготовления, которая указана в серийном номере на этикетке инструмента, без предварительной проверки (определение даты выпуска смотрите ранее в Руководстве пользователя).

О возможных нарушениях, изложенных выше условий гарантийного обслуживания, владельцу сообщается после проведения диагностики в сервисном центре. Владелец инструмента доверяет проведение диагностики в сервисном центре в свое отсутствие.

Запрещается эксплуатация электроинструмента при проявлении признаков повышенного нагрева, искрения, а также шума в редукторной части. Для выяснения причин неисправности покупателю следует обратиться в гарантийную мастерскую.

Неисправности, вызванные несвоевременной заменой угольных щеток двигателя, устраняются за счет покупателя.

5.Гарантия не распространяется на:

- сменные принадлежности (аксессуары и оснастка), например: аккумуляторы, диски, ножи, сверла, буры, патроны, цепи, звездочки, цанговые зажимы, шины, элементы натяжения и крепления, головки триммеров, подошвы шлифовальных и ленточных машин, фильтры, головки шестигранные сменные насадки и т.п.

- быстроизнашивающиеся детали, например: угольные щетки, приводные ремни, сальники, защитные кожухи, направляющие ролики, направляющие, резиновые уплотнения, подшипники, зубчатые ремни и колеса, стволы, ленты тормоза, храповики и тросы стартеров, поршневые кольца и

т.п.

Замена их в течение гарантийного срока является платной услугой.

- шнуры питания, в случае повреждения изоляции. В данном случае потребитель должен быть уведомлен и ремонт (услуга платная) должен быть выполнен после согласия потребителя. Если потребитель не согласен на замену, то в любом ремонтного инструмента будет отказано. Факт отказа должен быть зафиксирован в гарантийном талоне или квитанции сервисного центра и подписан владельцем.



**ГАРАНТИЙНОЕ СВИДЕТЕЛЬСТВО НА ИНСТРУМЕНТ P.I.T.**

Наименование изделия \_\_\_\_\_

Серийный номер изделия □□□□□□□□□□

Серийный номер зарядного устройства □□□□□□□□□□

Дата продажи « \_\_\_\_ » \_\_\_\_\_

Наименование торговой организации \_\_\_\_\_

Уважаемый покупатель!

М.П.

Благодарим Вас за покупку инструмента P.I.T. и надеемся, что Вы останетесь довольны своим выбором.

При необходимости обслуживания Вашего изделия обращайтесь в авторизированные сервисные центры P.I.T. Все сервисные центры представлены на сайте [www.pittools.ru](http://www.pittools.ru)

**Внимание!**

При покупке требуйте у продавца проверки работоспособности инструмента и его комплектности, а также заполнения гарантийного свидетельства, гарантийного талона (графы «Заполняются продавцом») и простановки печати торговой организации в гарантийном свидетельстве и гарантийных талонах.

**Гарантия**

На основании данного гарантийного свидетельства компания P.I.T. гарантирует отсутствие дефектов производственного характера.

Если в течение гарантийного срока в Вашем изделии обнаружатся указанные дефекты, то специализированные сервисные центры P.I.T. бесплатно отремонтируют изделие и заменят дефектные запасные части.

Гарантийный срок на электроинструменты P.I.T. составляет 12 месяцев со дня продажи.

«С условиями гарантийного обслуживания ознакомлен(а). Работоспособность и комплектность изделия проверены в моем присутствии. Претензий к качеству и внешнему виду не имею».

Подпись покупателя \_\_\_\_\_ Фамилия (разборчи-  
во) \_\_\_\_\_

Телефон \_\_\_\_\_

# P.I.T. WARRANTY CARD

Name _____ Serial Number _____ Sale Date _____ 20__ Date of Receipt from Repair _____ 20__	<b>P.I.T.</b>		<b>№ 1</b>
	Name _____		Place of Seal
	Serial Number _____		
	Sale Date _____ 20__		
	(Filled out by a Seller)		
	WARRANTY REPAIR CARD		
	Date of Acceptance for Repair _____ 20__		
	Application for Repair _____		
	Customer _____		
	Phone (Address) _____		
Cause of Application _____			
Date of Receipt from Repair _____ 20__			
The Tool is checked in my presence _____			
(The Order shall be performed in a Service Center) (Signature)			

Name _____ Serial Number _____ Sale Date _____ 20__ Date of Receipt from Repair _____ 20__	<b>P.I.T.</b>		<b>№ 2</b>
	Name _____		Place of Seal
	Serial Number _____		
	Sale Date _____ 20__		
	(Filled out by a Seller)		
	WARRANTY REPAIR CARD		
	Date of Acceptance for Repair _____ 20__		
	Application for Repair _____		
	Customer _____		
	Phone (Address) _____		
Cause of Application _____			
Date of Receipt from Repair _____ 20__			
The Tool is checked in my presence _____			
(The Order shall be performed in a Service Center) (Signature)			

Name _____ Serial Number _____ Sale Date _____ 20__ Date of Receipt from Repair _____ 20__	<b>P.I.T.</b>		<b>№ 3</b>
	Name _____		Place of Seal
	Serial Number _____		
	Sale Date _____ 20__		
	(Filled out by a Seller)		
	WARRANTY REPAIR CARD		
	Date of Acceptance for Repair _____ 20__		
	Application for Repair _____		
	Customer _____		
	Phone (Address) _____		
Cause of Application _____			
Date of Receipt from Repair _____ 20__			
The Tool is checked in my presence _____			
(The Order shall be performed in a Service Center) (Signature)			

## ГАРАНТИЙНЫЙ ТАЛОН P.I.T.

P.I.T.

Талон № 1

Наименование \_\_\_\_\_

Серийный номер \_\_\_\_\_

Дата продажи « \_\_\_\_ » \_\_\_\_\_ 20\_\_

(Заполняется продавцом)

Место печати  
или штампа

КАРТА ГАРАНТИЙНОГО РЕМОНА

Дата приема ремонт \_\_\_\_\_ 20\_\_

Заявка на ремонт \_\_\_\_\_

Заказчик \_\_\_\_\_

Телефон (адрес) \_\_\_\_\_

Причина обращения \_\_\_\_\_

Дата получения от ремонта \_\_\_\_\_ 20\_\_

Инструмент проверен в моем присутствии \_\_\_\_\_

(Заказ заполняется в Сервисном Центре) (Подпись)

Наименование \_\_\_\_\_  
 Серийный номер \_\_\_\_\_  
 Дата продажи \_\_\_\_\_ 20\_\_  
 Дата получения от ремонта \_\_\_\_\_ 20\_\_

P.I.T.

Талон № 2

Наименование \_\_\_\_\_

Серийный номер \_\_\_\_\_

Дата продажи « \_\_\_\_ » \_\_\_\_\_ 20\_\_

(Заполняется продавцом)

Место печати  
или штампа

КАРТА ГАРАНТИЙНОГО РЕМОНА

Дата приема ремонт \_\_\_\_\_ 20\_\_

Заявка на ремонт \_\_\_\_\_

Заказчик \_\_\_\_\_

Телефон (адрес) \_\_\_\_\_

Причина обращения \_\_\_\_\_

Дата получения от ремонта \_\_\_\_\_ 20\_\_

Инструмент проверен в моем присутствии \_\_\_\_\_

(Заказ заполняется в Сервисном Центре) (Подпись)

Наименование \_\_\_\_\_  
 Серийный номер \_\_\_\_\_  
 Дата продажи \_\_\_\_\_ 20\_\_  
 Дата получения от ремонта \_\_\_\_\_ 20\_\_

P.I.T.

Талон № 3

Наименование \_\_\_\_\_

Серийный номер \_\_\_\_\_

Дата продажи « \_\_\_\_ » \_\_\_\_\_ 20\_\_

(Заполняется продавцом)

Место печати  
или штампа

КАРТА ГАРАНТИЙНОГО РЕМОНА

Дата приема ремонт \_\_\_\_\_ 20\_\_

Заявка на ремонт \_\_\_\_\_

Заказчик \_\_\_\_\_

Телефон (адрес) \_\_\_\_\_

Причина обращения \_\_\_\_\_

Дата получения от ремонта \_\_\_\_\_ 20\_\_

Инструмент проверен в моем присутствии \_\_\_\_\_

(Заказ заполняется в Сервисном Центре) (Подпись)

Наименование \_\_\_\_\_  
 Серийный номер \_\_\_\_\_  
 Дата продажи \_\_\_\_\_ 20\_\_  
 Дата получения от ремонта \_\_\_\_\_ 20\_\_



# P.I.T.

## Media account

---



pit\_global



PIT Global



YouTube PIT Global



+7 7073005064 +86 15305798923



bod@pit-tools.com



www.pit-tools.com/